

**Product Data – Manipulators****Preston-Eastin Model MA-1414 HD****Capacity**

- Weight: 250 pounds on each or either end
- Travel: 14 feet actual vertical and horizontal travel

**Vertical axis**

- Construction: Structural steel with continuously welded roundways
- Motor: 1 HP AC
- Lift speed: 38 inches per minute
- Rollers: Hardened steel on eccentric shafts
- Safety: Spring-applied locking device limits uncontrolled vertical travel

**Horizontal axis**

- Construction: Structural steel with continuously welded roundways
- Motor: 3/4 HP variable speed DC
- Ram speed: 3 to 90 inches per minute
- Ram speed accuracy: 2% of base speed
- Rollers: Hardened steel on eccentric shafts

**Base**

- Construction: Welded steel
- Bearings: Tapered-roller bearings
- Locks: Two friction locks
- Standard base plate: Sixteen 1-1/32 inch holes on a 33-1/2 inch bolt circle

**Control**

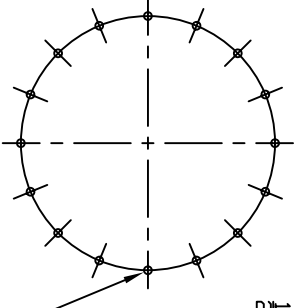
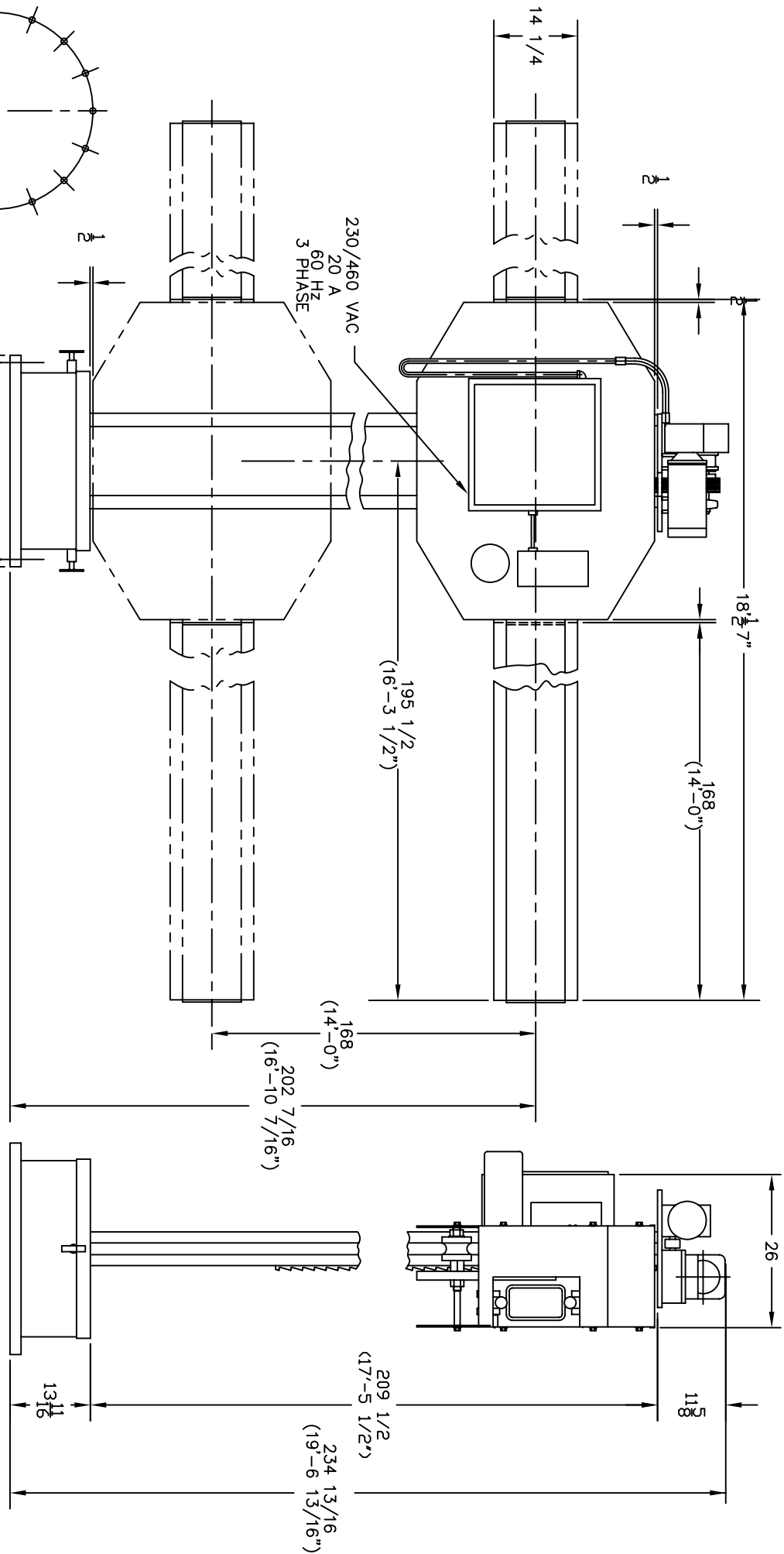
- Pendant: Remote pendant with 30-foot cable
- Optional cable lengths: Available
- Ram speed control: One-turn potentiometer
- Ram Weld/Rapid Traverse: Two position selector switch
- Ram Fwd/Off/Rev: Three position selector switch
- Ram Start/Stop: Two individual pushbuttons
- Mast Up/Off/Down: Three position selector switch
- Power: 240/480V, three phase, 60 hertz

**Weight**

- Manipulator: 9600 pounds
- Optional free-standing base: 1270 pounds
- Optional travel car, 20' track: 7100 pounds

**Options**

- Additional travel, vertical or horizontal
- Powered travel car and track, (TCP-84 and TSP-84)
- Free-standing, four-leg base
- Digital LED ram speed indicator



1 1/32 DRILL THRU  
16 HOLES EQ.  
SPACED ON 33 1/2 B.C.

14'-0" HORIZONTAL TRAVEL  
14'-0" VERTICAL TRAVEL

DRILLING TO MOUNT BASE

<b>PRESTON-EASTON INC.</b> OKLAHOMA		<b>DIMENSIONAL OUTLINE</b>	
PROJECT: TULSA CUSTOMER:	DATE: B.J.K. REV: 1-20-97	TITLE: MA 1414 HD	PART NO: 10332
THIS DRAWING AND THE DESIGNS HEREIN ARE THE PROPERTY OF PRESTON-EASTON INC. REPRODUCTION AND/OR USE WITHOUT WRITTEN PERMISSION IS PROHIBITED.		DATE: 08/94	REV: 2