

PANDJIRIS, INC

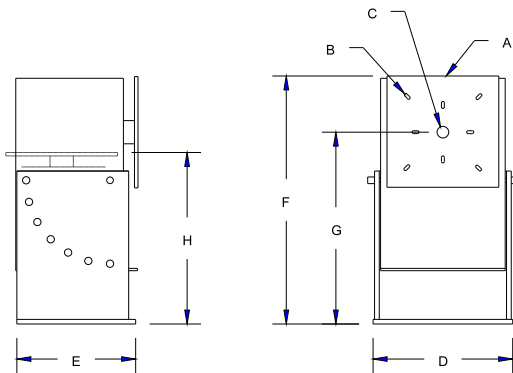
5151 Northrup • St. Louis, MO 63110 • (314) 776-6893

ALPHA MODEL 5-3 500 LB CAPACITY UNIVERSAL COMBINATION WELDING POSITIONER AND COMPANION TAILSTOCK

The **Alpha 5-3 Positioner** has a motorized variable speed rotation with Forward-Stop-Reverse switch with dynamic braking. The rotation speed is variable from 0.27 to 6.70 RPM with pinned tilt through 90 degrees pinned at 15 degree increments. A 12" square table is standard. The wiring conforms to National Electrical Code Standards and operates on 115 volt, single phase, 60 cycle input power, draws 6.5 Amps. A field changeable plug-in hand pendant includes "Forward-Stop-Reverse-Weld/Rapid" buttons and a speed adjustment potentiometer on 25' of cable as standard.

- Load capacity 500 lb. 3 inch overhung from face of table, 3 inch eccentricity.
- Tilt range 0 through 90 degrees, pinned.
- Swing radius 20-1/2" @ 90° tilt.
- Rotation torque 1,500 inch pound.
- Rotational motor size 1/3 H.P. motor.
- Rotation speed Variable from .27 to 6.70 RPM.

The **Model TS-5 Companion Idler Tailstock** includes a hand tilt through 90 degrees pinned at 15 degree increments. This serves as an ideal turn table with a 500 lb. capacity.



A	Table	12" Sq.
B	Slots (8)	.312"x.75"
C	Pilot Hole	None
D	Base Width	15"
E	Base Length	12-3/4"
F	Overall Height	26-3/4"
G	Rotation Axis Height	20-1/2"
H	Horizontal Table Height	19-3/8"

Terms: Pandjiris, Inc. standard terms and conditions apply, f.o.b. Factory, St. Louis, Missouri, or designated ship point.

Delivery: Consult factory.
Approximate shipping weight:
Alpha 5-3 250 lbs.
TS-5 150 lbs.

PRICE LIST	
For Bulletin No.	: PC 0991
Effective Date	: May, 2005
Page Number	: A-5

PANDJIRIS, INC

5151 Northrup • St. Louis, MO 63110 • (314) 776-6893

POSITIONERS Optional Accessories

Foot switch with compatible plug for Forward/Stop/Reverse (speed potentiometer on hand pendant)

Foot switch, Fast-Slow with compatible plug

Preset digital tachometer with compatible plug reads speed in RPM

Dialweld®, (shows linear speed in IPM for diameter set on diameter selector. Dial diameter to be welded, dial weld speed, table RPM is automatically set to weld diameter at selected welding speed) digital meter with compatible plug reads IPM or CmPM

25' Extension Cable with compatible plugs for standard pendants and accessories

Model 600 PT Copper Welding Ground

Model 1200 PT Copper Welding Ground

Adapter Plate and mounting charge to mount the TJ 20-Gripper to the Alpha Positioner

Terms: Pandjiris, Inc. standard terms and conditions apply, f.o.b. Factory, St. Louis, Missouri, or designated ship point.

Delivery: Consult Factory

PRICE LIST

For Bulletin No. : PC 0991

Effective Date : May, 2005

Page Number : A-6