

PANDJIRIS, INC

5151 Northrup • St. Louis, MO 63110 • (314) 776-6893

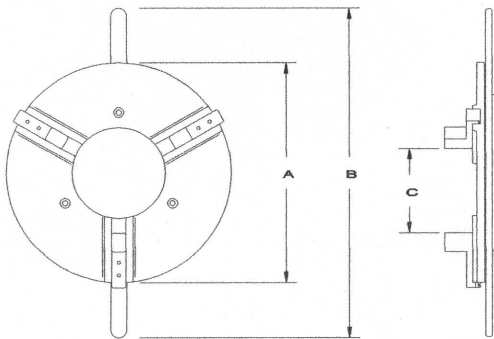
**"J" SERIES GRIPPER
(FOR ALPHA 5.3 POSITIONERS ONLY)**

Dual lever rotary screw operation of the jaws and adjustable reversible jaws for small and large diameter workpieces. Gripper designed to effectively clamp internally or externally as required for your specific workpiece.

Holding Capacity (outside clamping) Diameter 3/8" to 11-1/4"
 Holding Capacity (inside clamping) Diameter 4-1/4" to 15"
 Chuck Jaws (3) Self-Centering
 Chuck Adjustment Dual lever/rotary screw
 Jaws Attachment Reversible, Rotary Screw
 Mounting Holes (3) for 5/16" - 18 x 1-1/4" Socket Head Cap Screws on a 4-3/4" B.C.D.
 Weight 20 lb.

"J" SERIES GRIPPER						
CAPACITY	MODEL	DIMENSIONS PER DRAWING			THRU HOLE	APPROXIMATE SHIPPING WT. (pounds)
		A	B	C		
250#	J-15	10"	17-1/2"	*	4" dia.	20

* Reference Specifications Above



Terms: Pandjiris, Inc. standard terms and conditions apply, f.o.b. Factory, St. Louis, Missouri, or designated ship point.

Delivery: Consult factory.

PRICE LIST	
For Bulletin No.	: JG788
Effective Date	: July 24, 2001
Page Number	: B-1