

PANDJIRIS, INC

5151 Northrup • St. Louis, MO 63110 • (314) 776-6893

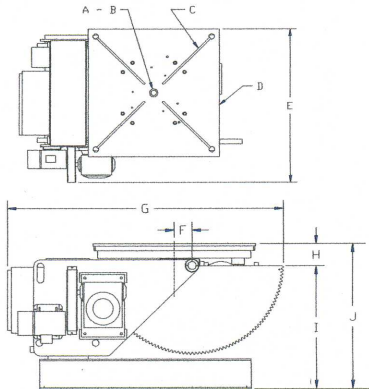
1,500 LB. CAPACITY WELDING POSITIONER (MODEL 15-4)

The **Model 15-4 MVRHTFB Positioner** has a motorized variable speed rotation with Forward-Stop-Reverse switch and dynamic braking. The rotation speed is variable from 0.08 to 1.60 RPM with hand crank tilt infinitely variable through 135 degrees. A 24" square table with fixed height at 23-1/4" to allow full tilting capability is standard. All wiring conforms to National Electrical Code Standards. The positioner operates on 115 volt, single phase, 60 cycle input power, draws 10 Amps. A field changeable plug-in hand pendant includes "Forward-Stop-Reverse-Weld/Rapid" buttons and a speed adjustment potentiometer on 25' of cable.

Load capacity 1,500 lb. 4 inch overhung from face of table, 4 inch eccentricity.
 Swing radius 20" @ 90° tilt.
 Rotational motor size 1/2 H.P. motor.
 Rotation speed Variable from .08 to 1.60 RPM.
 Rotation torque 6,000 inch pounds.
 Tilt range 0 through 135 degrees, hand crank.

The **Model 15-4 MVRMTAB Positioner** is the same as above except with motorized tilt and an adjustable base and a swing radius from 20" to 33" @ 90° tilt. Draws 20 amps.

Tilt motor size 1/2 H.P. AC Brakemotor.
 Tilt Speed 135 degrees in 22 seconds.
 Tilt Torque 12,000 inch pounds inherent.



A	Pilot Hole	2" ϕ x 1" Deep
B	Thru Hole	3/4" ϕ
C	"T" Slot Quantity	4
	ANSI Std "T" Nut size	1/2"
D	Table Size	24" sq.
E	Overall Width	30-1/4"
F	Rotation Offset	3"
G	Overall Length	45-3/4"
H	Inherent Overhang	4"
I	Tilt Axis Height	19-1/2"
J	Table Height	min 23-1/2"
	(3) Positions	max 37-1/2"

Terms: Pandjiris, Inc. standard terms and conditions apply, f.o.b. Factory, St. Louis, Missouri, or designated ship point.

Delivery: Consult Factory

Approximate shipping weight: 750 lbs.

PRICE LIST

For Bulletin No. : PC 0991
 Effective Date : May, 2005
 Page Number : A-11