

**PIPER 3 TURNING ROLL**

The Model Piper 3 Power Roll has a capacity of 6,000 lbs. turning and 2,000 lbs. weight capacity. An electronic variable speed drive allows a welding speed of 2 to 60.0 IPM with a field changeable plug-in hand pendant. This includes "Forward-Stop-Reverse-Weld/Rapid" buttons and a speed adjustment potentiometer on 25' of cable to handle workpieces from 3-1/2" to 40" diameter. The standard electricals are 115 volts, single phase, 60 cycle, draws 6 amps. Wired to conform to the National Electrical Code Standards.

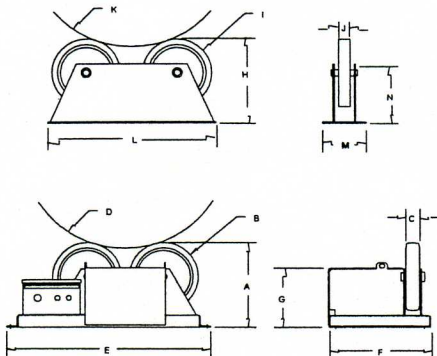
Turning Capacity ..... 6,000 lbs.  
 Tractive Effort 277 lbs  
 Load Capacity 2,000 lbs.  
 Pipe Diameter Range ..... 3-1/2" thru 40"  
 Speed Range ..... 2 to 60.0 IPM  
 Motor Horse Power Rating ..... 1/4 HP  
 Wheel Diameter ..... 12"  
 Combined Wheel Face ..... 2-1/2"

The Piper 3 Idler Roll has 2,000 lbs. support capacity.

Weight Capacity of Piper 3 Idler Roll ..... 2,000 lbs  
 Weight Capacity of (1) Piper 3 Power Roll with (1) Piper 3 Idler Roll ..... 4,000 lbs  
 Weight Capacity of (1) Piper 3 Power Roll with (2) Piper 3 Idler Roll ..... 6,000 lbs

| POWER ROLL |                     |              |
|------------|---------------------|--------------|
| A          | Wheel Height        | 15"          |
| B          | Wheel Diameter      | 12"          |
| C          | Wheel Face          | 2-1/2"       |
| D          | Pipe Diameter Range | 3-1/2" - 40" |
| E          | Frame Length        | 35-5/8"      |
| F          | Frame Width         | 18-1/16"     |
| G          | Frame Height        | 10-9/16"     |

| IDLER ROLL |                     |              |
|------------|---------------------|--------------|
| H          | Wheel Height        | 15"          |
| I          | Wheel Diameter      | 12"          |
| J          | Wheel Face          | 2-1/2"       |
| K          | Pipe Diameter Range | 3-1/2" - 40" |
| L          | Frame Length        | 27-3/4"      |
| M          | Frame Width         | 6"           |
| N          | Frame Height        | 15"          |



**Terms:** Pandjiris, Inc. standard terms and conditions apply, f.o.b. Factory, St. Louis, Missouri, or designated ship point.

**Delivery:** Consult Factory  
 Approximate shipping weight:  
 Power Roll 230 lbs.  
 Idler Roll 100 lbs.

| RICE LIST          |               |
|--------------------|---------------|
| For Bulletin No. : | 51566-A/493   |
| Effective Date :   | April 1, 1998 |
| Page Number :      | C-3           |